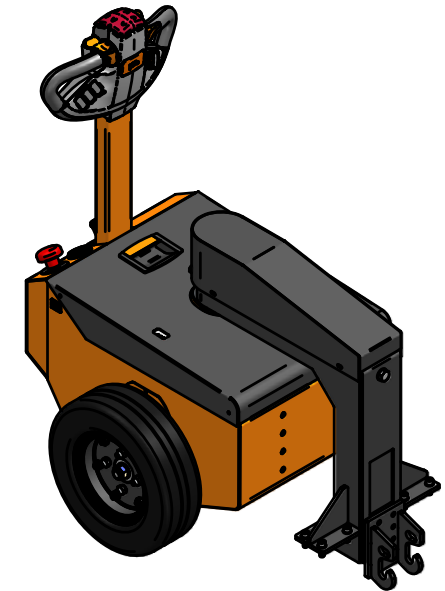
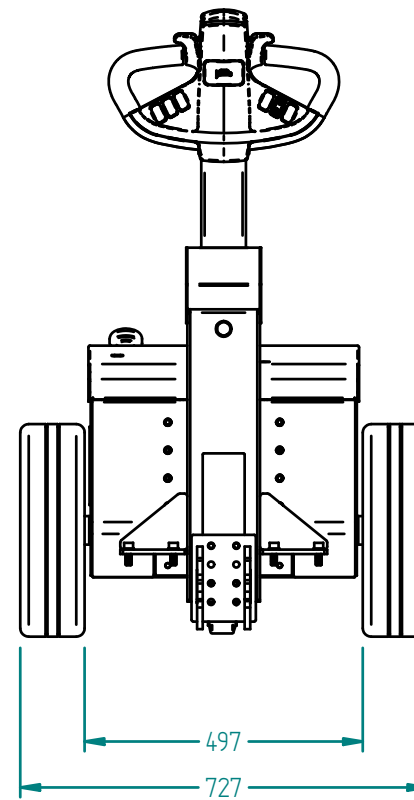
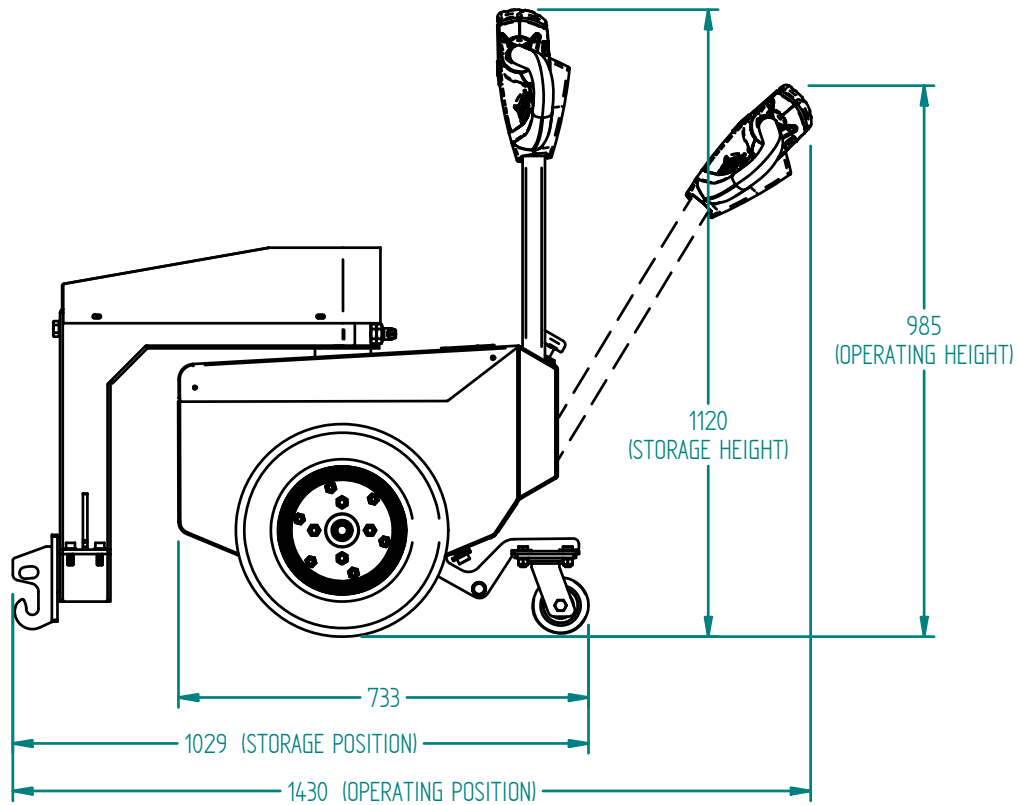
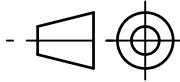


This Drawing is the property of Tractive Power Ltd. Not to be reproduced or distributed without prior consent.



All dims in MM Remove ALL sharp edges & burrs.

Job No.

Sheet

1 of 1

1	New	12.11.12
Issue	Ref	Date

Tolerance unless stated
General +/- 1mm
1 Dec Place +/- 0.5mm
2 Dec Places +/- 0.1mm
Angles +/- 2 Degrees

Scale	Sheet	Designed by
1/10	A3	SG
Material	Checked by	SG
Finish	Approved by - date	



Unit 5, Churnetside Business Park,
 Station Road, Cheddleton, Staffordshire.
 ST13 7EE
 Tel: 05601169920 Fax: 05601169921
 e : info@tractivepower.com

Title
 TP250 Compact Dimensions

Drawing No. TP250C